

HPLS-26PX2 Socket and Optics Options



HPLS-26PX2 LED Sockets and Optics Options for HPLS stand alone drivers including HPLS-30,-35,-45, Drivers

Features

- Very Compact configuration for small spaces and lens tubes.
- Multiple emitters can be configured in various formats including rings and arrays.
- Customizable and interchangeable wavelengths.

Applications

- High-speed imaging
- Synchronous detection
- Machine vision
- Fluorescence Imaging
- Fluorometry
- Multiple Wavelength Illumination

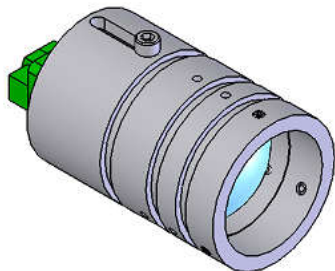
Description

HPLS Drivers that do not have the built in LED interface such as the HPLS-36 require an LED Socket and optics for the LED.

RS3 Socket and OH26-25X12 collimating/focusing Optic can be used with the HPLS-30, -35, -45, -54 drivers and assembled into tight spaces or onto lens tube assemblies.

Mount with threaded adapters or post mount.

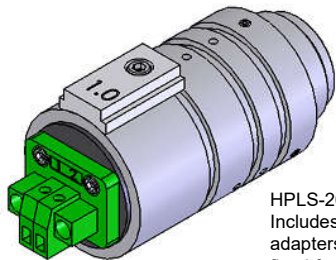
For Mechanical Dimensions, see .info.pdf file
STEP Files Available
Contact Lightspeed Technologies



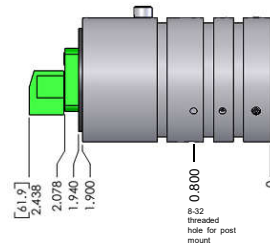
HPLS-26-AS14 Assembly
Includes Standard LED

(Above) The HPLS-26PX2 LED socket works in conjunction with the OH26-25X12 to provide both collimation or focusing of the LED output with heat sinking and mounting. An adjustment slot allows focus adjustment. An 8-32 threaded hole is on the bottom for post mounting.

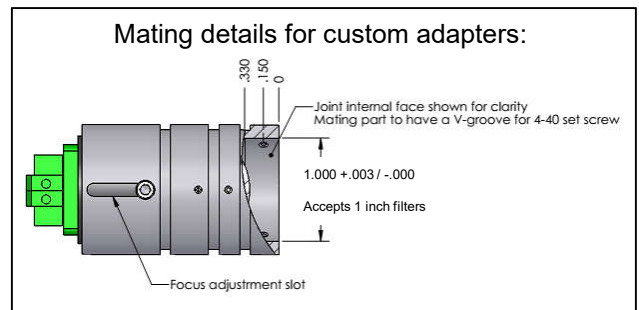
(Below) a fixed focus position can be set for production configurations with the HPLS-26-060-X.X fixed focal length adapter (1.0 for maximum collimation) Threaded adapters are available to mount on the front for fixing to lens tubes



HPLS-26-AS16 Assembly shown
Includes standard LED and 13/16 thread adapters. Shown with HPLS-26-060-X.X fixed focus option



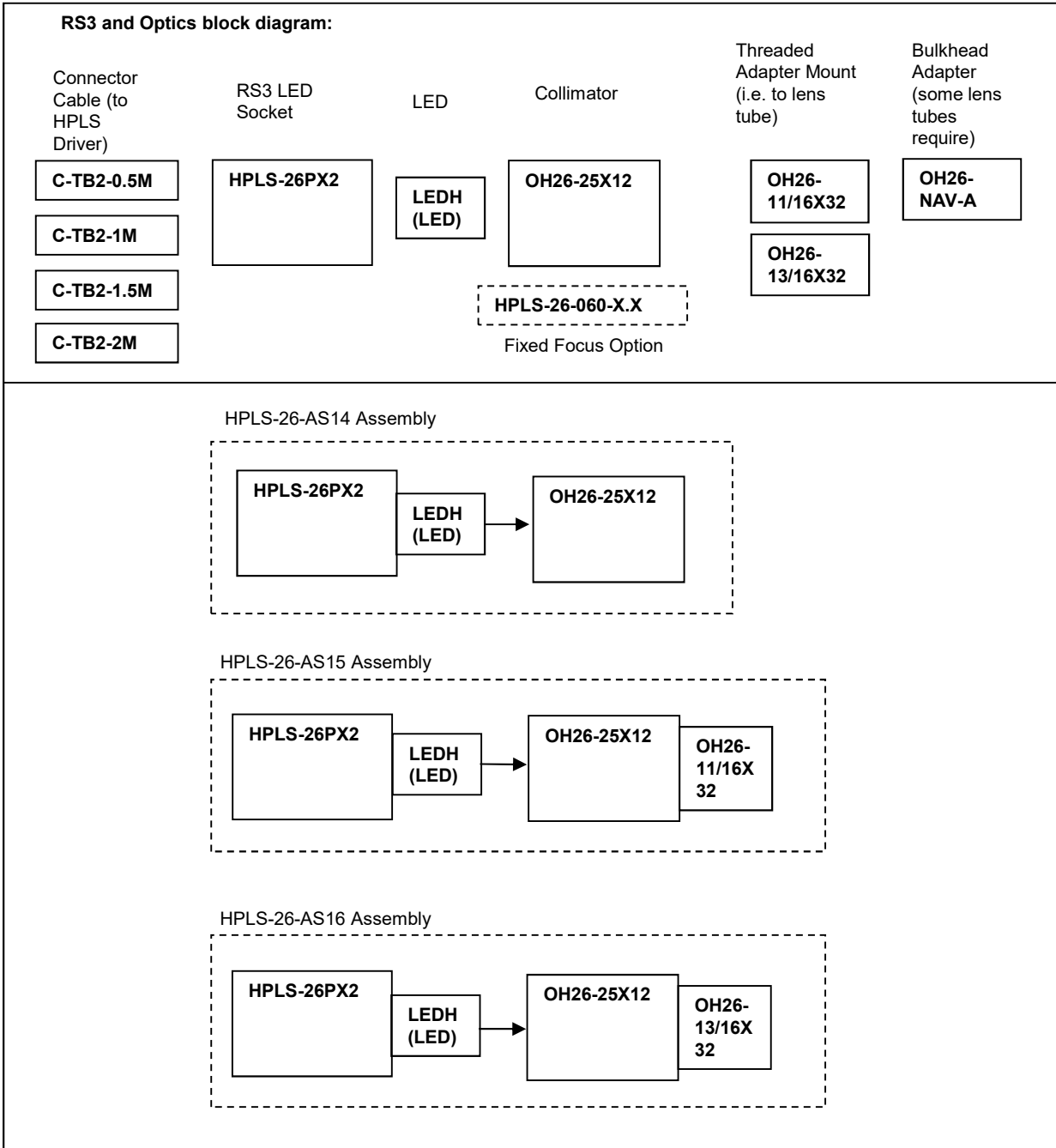
(Above) C-TB2 Cables include the mating connector shown in the sketches with the above dimensions shown for reference. This drawing also shows the 13/16X32 threaded adapter on the front of the assembly.



HPLS-26PX2 Socket and Optics Options



Typical system configuration



Terms and Conditions



Prices and Quotations

All quotations are valid for 30 days unless stated otherwise. Published prices are subject to change without notice. Custom and specialty products are individually priced per requirements specified and subject to change if changes are made from original request.

Purchase Orders and Payment Methods

Orders are accepted by email, mail, and fax. Verbal orders are not advised but accepted on individual basis. Payments by Net 30 account upon approval of credit or by credit card. Late fee 2% per month invoiced if past due. International customers: 100% pre-payment, credit card, or wire transfer Net 30 with approved credit.

Delivery and shipping.

Shipments are made domestically by USPS priority or FedEx prepaid and added to invoices unless shipping method and shipping account number provided with order. International shipments do not include importation or duty fees and international shipping charges are specified with product quotes.

Safety warnings and operating conditions.

Lightspeed Technologies is not liable for equipment damage or personal injury resulting from the use of these products. Do not look into the beam directly, or stare at the specular reflection from reflective surfaces such as mirrors. Do not operate unless LED head is secured by 2 screws. Do not disassemble drivers unless to access user-level controls inside per user manual. Do not operate outdoors, in high humidity or condensing environment. HPLS series of light sources and drivers are designed for operation in indoor environment, non-condensing conditions, with ambient temperature from 4.5°C to 29.5°C (40°F to 85°F).

Warranty Terms and Conditions

Lightspeed Technology's products, HPLS base units, drivers, optics, accessories (except LED heads) are warranted to be free from manufacturing defects in materials, parts and labor for a period of 1 year from the date of delivery to a customer, customer's shipping department, and/or designated agent. Components that are subject for failure per conditions specific to customer's testing environment, including but not limited to, incompatible line outlet voltage, out-of-the-specifications line outlet voltage, incompatible signal voltages and/or timing requirements; specifically including, but not limited to, LED heads, are warranted for a period of 90 days. Specifications subject to change especially as LED technology changes. Every effort is made to notify customers of changes and to implement suitable replacements when necessary.

Returns and cancellation conditions.

No returns on special order items, or if a demo unit was requested, furnished and subsequently tested by a customer prior to placing an order. All products should be returned with original packaging material. All returns are subject to inspection and restocking fees upon arrival if without original packaging, damaged, or otherwise tampered with. Contact Lightspeed Technologies for a return materials authorization (RMA) number and shipping address if product is to be returned. No returns after 30 days from the day of product delivery to a customer, shipping department, or designated agent. Lightspeed Technologies will make the determination of cause of damage and if warranty replacement is applied.

Lightspeed Technologies
P.O. Box 110161
Campbell, CA 95011-0161
(408)761-0062
sales@light-speed-tech.com