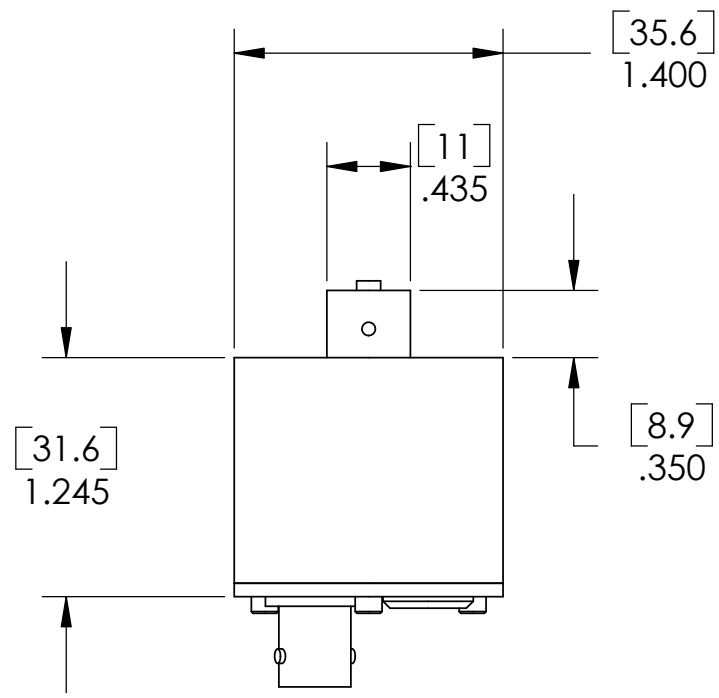
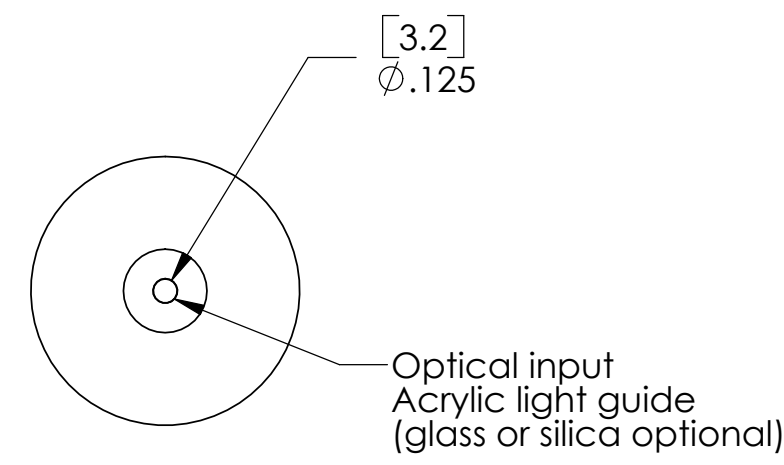
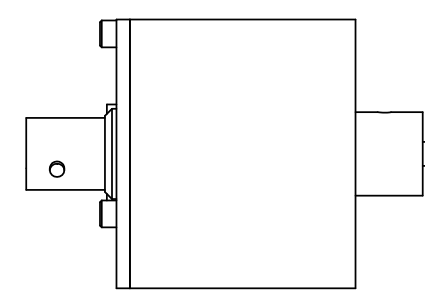
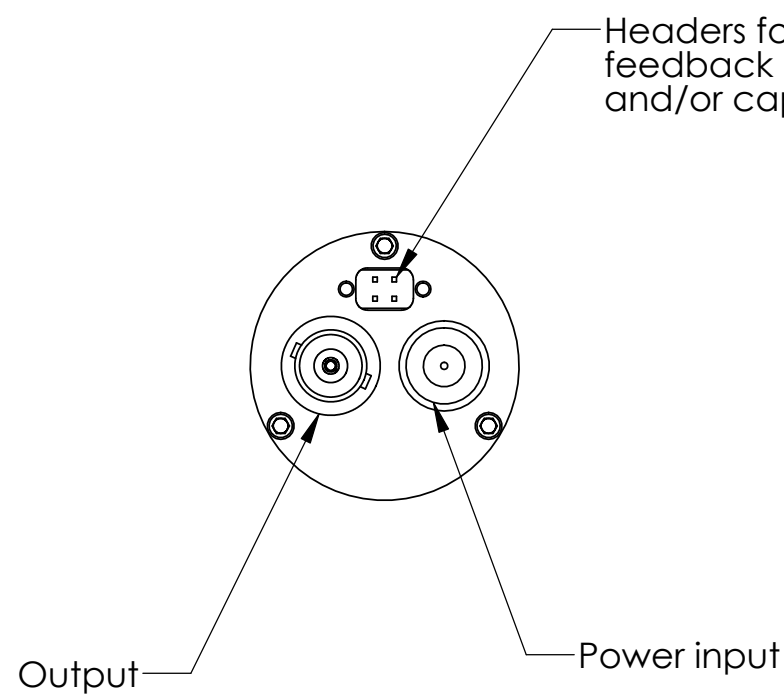
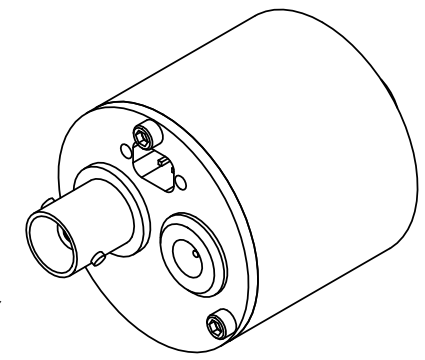


8 7 6 5 4 3 2 1



- Specifications and features
- \* Reference photodiode probe
  - \* Built-in transimpedance amplifier
  - \* Signal output proportional to input optical power
  - \* Power 5V-9V 0.1A,
  - \* Power connector 2.1x5.5mm barrel, center positive
  - \* Frequency response 6 kHz with 1M $\Omega$  feedback resistor
  - \* Quick change feedback resistor and capacitor for tuning



FOR REFERENCE ONLY

Rev1 (2/23/2010)	LightSpeed Technologies PO BOX 110161 Campbell CA 95011 www.light-speed-tech.com		
LAST RELEASE	DATE	DRAWING TITLE	
XX		PDP35-AS1 - Photodiode Probe.infosheet	
NEXT HIGHER LEVEL ASSEMBLY		DWG. NO.	SIZE REV.
		PDP35-AS1	B 1
MATERIAL		UNITS inches[mm]	WEIGHT xgx
SURFACE FINISH/COATING		SCALE 1:1	SHEET 1 OF 1

8 7 6 5 4 3 2 1